



# OPERATORS MANUAL

MODELS 2032-OS, 2048-OS, 204830-OS, 3068-OS  
RIDGID ON-SITE STORAGE EQUIPMENT

## DANGER

- Do **NOT** put fuels, flammables, explosives or hazardous materials inside these products.
- Gasoline, solvents, gun powder or other munitions, dynamite, propane, acetylene or other such products can explode if stored inside these products.
- Use these products **ONLY** for storing and transporting electric or hand tools and equipment, and other similar materials.
- Failure to follow these warnings or modifications or other uses of these products could result in death, serious injury or property damage.

## WARNING

### For Models 2048-OS and 204830-OS:

To prevent electric shock, explosion, fire and/or serious personal injury when using storage chest with:

#### Extension Cord -

- Follow all Extension Cord manufacturer's Warnings and Instructions.
- After removing knock-out, insert Rapid Pass™ rubber grommet. Do **NOT** insert extension cord through hole without grommet in place (see figure 8, on page 3).
- Only use a three-wire extension cord with all three prongs intact. Never remove the round grounding prong.
- Extension cord must be connected to a 120 Volt GFCI protected outlet with proper ground. If GFCI outlet is not available, use an extension cord with GFCI protection built in.
- Check the insulation and plugs of extension cord before using. Do **NOT** use cord if it is worn or damaged.
- Do **NOT** overload extension cord.
- Remove extension cord from the Rapid Pass™ hole before moving or transporting storage chest.
- Only use an extension cord that is rated for outdoor use.

- Do **NOT** connect extension cord to outlet that also supplies critical safety equipment with power.

#### Cordless Power Tool Battery Chargers -

- See Charger's Owner's Manual for proper use and care of charger and batteries. Follow all Warnings and Instructions provided with your battery charger.
- Place chargers and electrical connections in tray.
- Chargers are Dry location use only. Do **NOT** expose to liquid, vapor, or rain. Should your charger become wet, Do **NOT** attempt to use. Unplug extension cord from supply before handling wet charger or cords.
- Only use chargers and batteries that are intact and operating properly.
- Do **NOT** touch metal prongs when plugging charger into extension cord.
- Keep flammable materials like paper or rags away from charger, cords or connections.
- Do **NOT** place or attempt to charge lead acid, car type batteries in storage chest.



## WARNING

Keep hands clear when closing lid. Failure to do so could result in severe injury.

## -ATTENTION-

Read and understand all instructions and warnings before operating or using this product.

## -NOTICE-

Any modification or unintended use of this product shall immediately void all manufacturers warranties. Manufacturer disclaims all liability for injuries to persons or property resulting from any modification to, or unintended use of this product.

## PADLOCK INSTALLATION INSTRUCTIONS FOR ALL UNITS

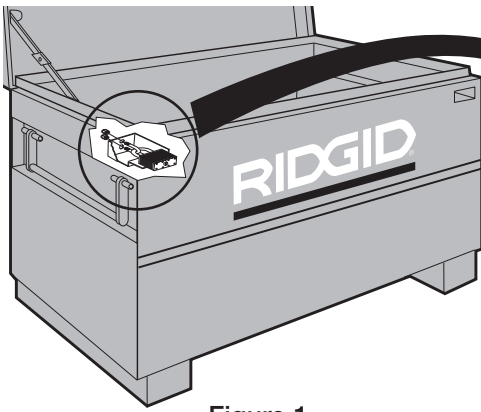


Figure 1

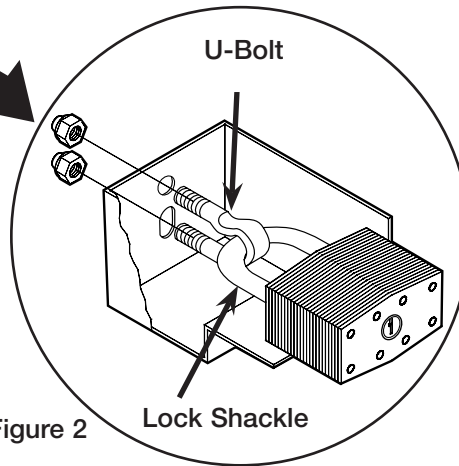


Figure 2

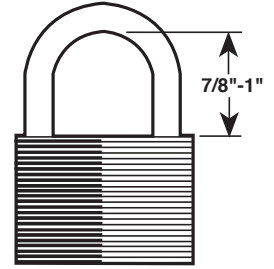


Figure 3  
(measure height  
when lock is closed)

**TOOLS REQUIRED-** One wrench with 7/16" socket.  
**PADLOCK INFORMATION-** Padlock with 7/8"-1" shackle height (figure 3) (recommended Master No 5 or equivalent, not included).

1. Open your padlock and slide the U-bolt over the lock shackle.
2. Slide the lock through the lock housing on the front of the box (figure 1).
3. Guide the U-bolt through the two holes in the back of the lock housing (figure 2).
4. Secure the U-bolt with the two nylon lock nuts supplied.
5. Repeat the procedure for the second lock.
6. To lock, close lid and push bottom of padlock until lock "clicks" closed.
7. To open, turn key and open lid.

## 3068-OS PROP-ARM INSTRUCTIONS

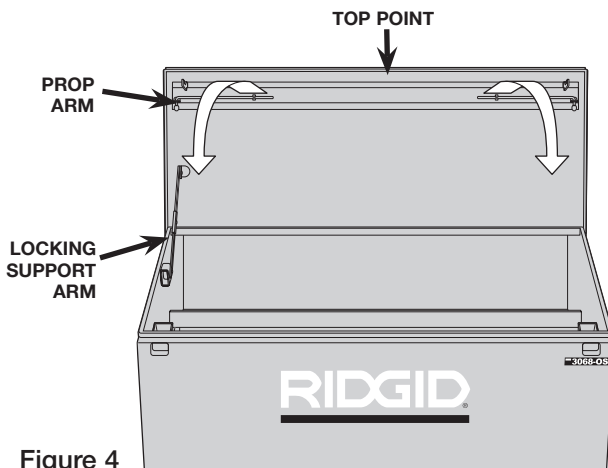


Figure 4

### FOR FIELD DESK CAPABILITY

1. Hold cover in the middle with one hand, pull left prop arm outward and disengage from retaining clasp.
2. Switch hands on cover and repeat (figure 4) for opposite side.
3. Hold the cover at it's top point with your right hand. With your left hand, slightly pull the locking support arm at the hinge until there is a slight bend (figure 4).
4. Slowly lower cover until it is parallel with the ground. Be sure the prop arms are engaged in slots as shown below (figure 5). Make sure prop arms are fully engaged forward so that the prop arms are perpendicular to the cover.
5. The final position for Field Desk Capability is shown in Figure 6

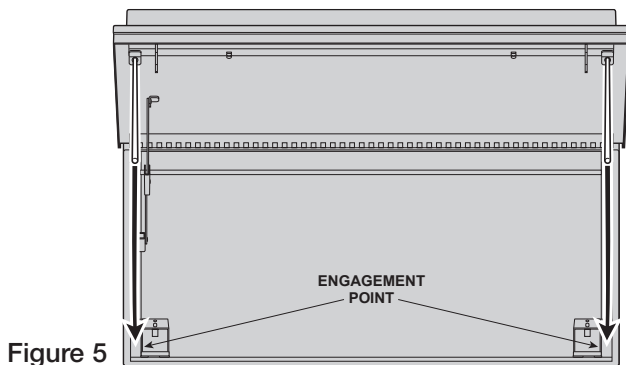


Figure 5

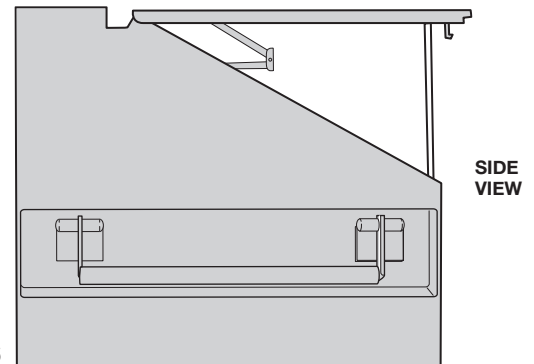


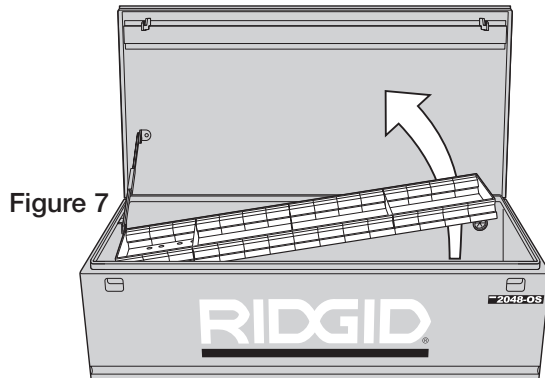
Figure 6

### WARNING

Do **NOT** use cover as a step.

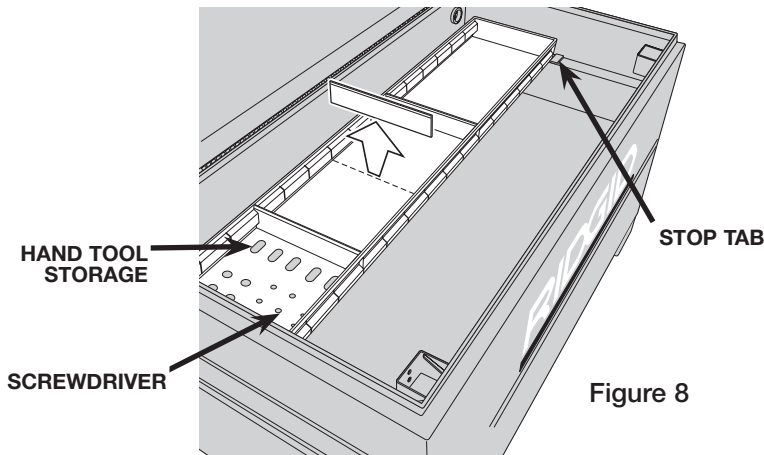
## 2048-OS AND 204830-OS FLEXI-SHELF™ INSTRUCTIONS

### FOR REMOVING THE SHELF FROM BOX



1. Be sure all contents are removed from shelf.
2. Securely grasp shelf at the right side (facing box) with both hands and gently lift (figure 7).
3. Remove from box and store properly.

### ADJUSTING THE FLEXI-SHELF™ FOR YOUR STORAGE NEEDS



To adjust dividers:

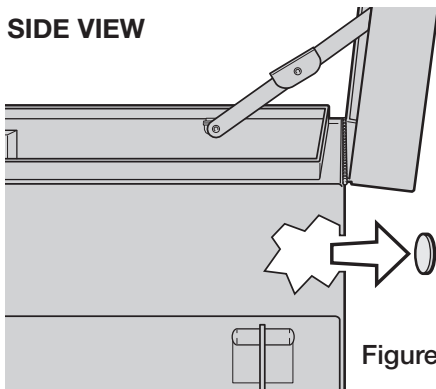
1. Gently lift dividers straight up while holding down shelf with other hand.
2. Remove divider to desired storage location and reverse procedure (figure 8).

Securing shelf for transport:

1. To minimize movement during transport, make sure the shelf front is located behind the stop tabs on each side of the box.
2. Once the box is on-site the shelf can be moved forward by slightly lifting the front edges over the stop tabs. The shelf bottom should always lie flat on the runners when finished adjusting the shelf.

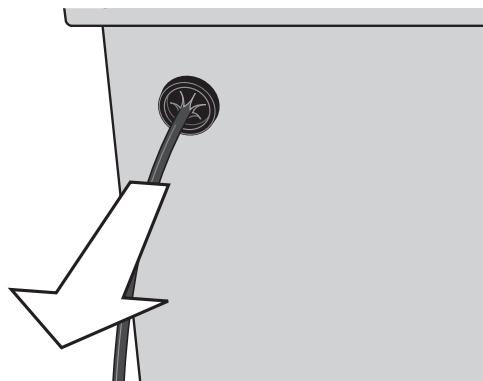
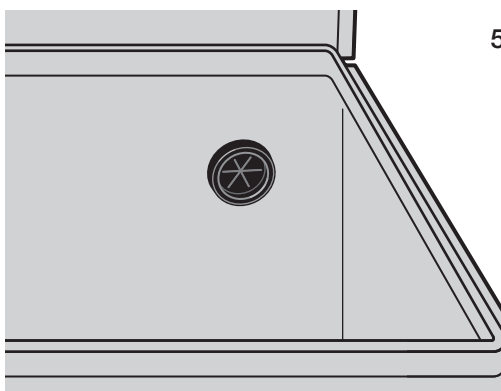
### TO INSTALL RAPID PASS™ GROMMET (Model 2048-OS and Model 204830-OS)

#### SIDE VIEW



TOOLS REQUIRED- Hammer and flat blade screwdriver.

1. Locate the “knockout” on the upper right (facing box) corner of the rear box panel.
2. With a screwdriver and hammer, carefully punch out the “knockout” from the inside of the box so that metal ring will fall outside box (figure 9).
3. Place the rubber “Rapid Pass”™ grommet from the inside of the box in the hole and be sure that it is properly seated. **BE SURE NO SHARP METAL EDGES ARE EXPOSED** (figure 10).
4. When passing cords into the box, be sure to always enter box from the rear. After head of cord is in place, slightly pull back 2-3” to ensure weather resistant “star bursts” are facing toward the outside of box (figure 11). *Never push the cord from inside the box so that mating plug points are exposed to the environment*
5. **BE SURE TO FOLLOW ALL ELECTRICAL SAFETY PRECAUTIONS.**



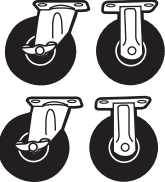
EXTERIOR VIEW

**FOR REPLACEMENT PARTS, CONTACT RIDGID ON-SITE STORAGE EQUIPMENT  
AT 1-800-4-RIDGID (1-800-474-3443)**

MODEL NUMBER	DESCRIPTION	USE WITH	QUANTITY
7357	U-Bolt & Nylon Lock Nut Hardware Kit	2032-OS, 2048-OS, 204830-OS, 3068-OS	4 Pack
7628	Rapid Pass™ Rubber Grommet	2048-OS, 204830-OS	1 Pack

- No other replacement parts are available for these models.

**ACCESSORY CASTERS, CALL 1800-4 RIDGID (1-800-474-3443)**

	MODEL NUMBER	DESCRIPTION	USE WITH	LOAD RATING
	404-OS	4" Caster Set	2032-OS, 2048-OS, 204830-OS, 3068-OS	1060 lbs
	606-OS	6" Caster Set	2032-OS, 2048-OS, 204830-OS, 3068-OS	1360 lbs.

- Casters come as a set of four.
- Load ratings are for all four wheels combined.
- Load rating includes storage chest weight and contents.

**⚠ CAUTION**

- Casters are not suitable for keeping the units in place when transporting.
- Do not use casters on uneven or rough surfaces.
- Do not tow caster mounted boxes.
- Failure to comply can cause injury or property damage.

LIMITED WARRANTY

This LIMITED WARRANTY is made by RIDGID On-Site Storage Equipment, 420 E. Terra. Cotta Ave., Crystal Lake, Illinois to the original retail purchaser of RIDGID® Storage Products.

RIDGID STORAGE EQUIPMENT WARRANTS THAT RIDGID ON-SITE STORAGE EQUIPMENT WILL BE FREE FROM DEFECTS IN MATERIAL AND WORKMANSHIP FOR A PERIOD OF THREE (3) YEARS FROM DATE OF PURCHASE BY THE ORIGINAL RETAIL PURCHASER. THIS WARRANTY IS SPECIFIC TO THIS STORAGE EQUIPMENT. WARRANTIES FOR OTHER RIDGID PRODUCTS MAY VARY.

If, before the expiration of the Warranty period, purchaser discovers that this RIDGID On-Site Storage Equipment fails to fulfill the Warranty, purchaser shall **contact RIDGID On-Site Storage Equipment at 1-800-4-RIDGID (1-800-474-3443)** to make arrangements for an inspection of the product. If RIDGID On-Site Storage Equipment determines a defect exists, RIDGID Storage On-Site Equipment shall, at its option and expense, repair or replace any defective part. All Warranty repairs shall be made by an authorized RIDGID On-Site Storage Equipment dealer or RIDGID On-Site Storage Equipment approved service company.

This Warranty shall not apply if the RIDGID On-Site Storage Equipment has been subjected to misuse, abnormal service or handling, improper maintenance, or alterations made by anyone other than RIDGID On-Site Storage Equipment dealer or a RIDGID On-Site Storage Equipment approved service company.

THE WARRANTY PRINTED ABOVE IS THE ONLY WARRANTY APPLICABLE TO THIS PURCHASE. ALL OTHER WARRANTIES, EXPRESS OR IMPLIED, INCLUDING BUT NOT LIMITED TO THE IMPLIED WARRANTIES OF MERCHANTABILITY AND FITNESS FOR A PARTICULAR PURPOSE ARE HEREBY DISCLAIMED.

RIDGID ON-SITE STORAGE EQUIPMENT SHALL NOT BE LIABLE FOR ANY INCIDENTAL OR CONSEQUENTIAL DAMAGES ARISING OUT OF ANY BREACH OF THIS WARRANTY NOR SHALL THE DAMAGES EXCEED THE RETURN AMOUNT OF THE PURCHASE PRICE PAID BY THE ORIGINAL PURCHASER

This Warranty is in lieu of all Warranties express or implied. The terms of this Warranty shall not be modified by any party, their successors and assigns. This Warranty gives you specific legal rights, and you may also have other rights which vary from state to state.

If you have any questions, please call our customer service department at 1-800-4-RIDGID (1-800-474-3443). Products are protected by one or more of the following patents or trademarks:  
U.S.-1182982, 1517767, 1897535; Canada-281398; U.K.-1390299; Australia-754070;  
N.Z.-296048; other patents pending.

**RIDGID ON-SITE STORAGE EQUIPMENT**  
420 E. Terra Cotta Ave, Crystal Lake, IL 60014

RIDGID is a registered trademark of RIDGID, Inc. and is used by Knaack Manufacturing Company under license.

